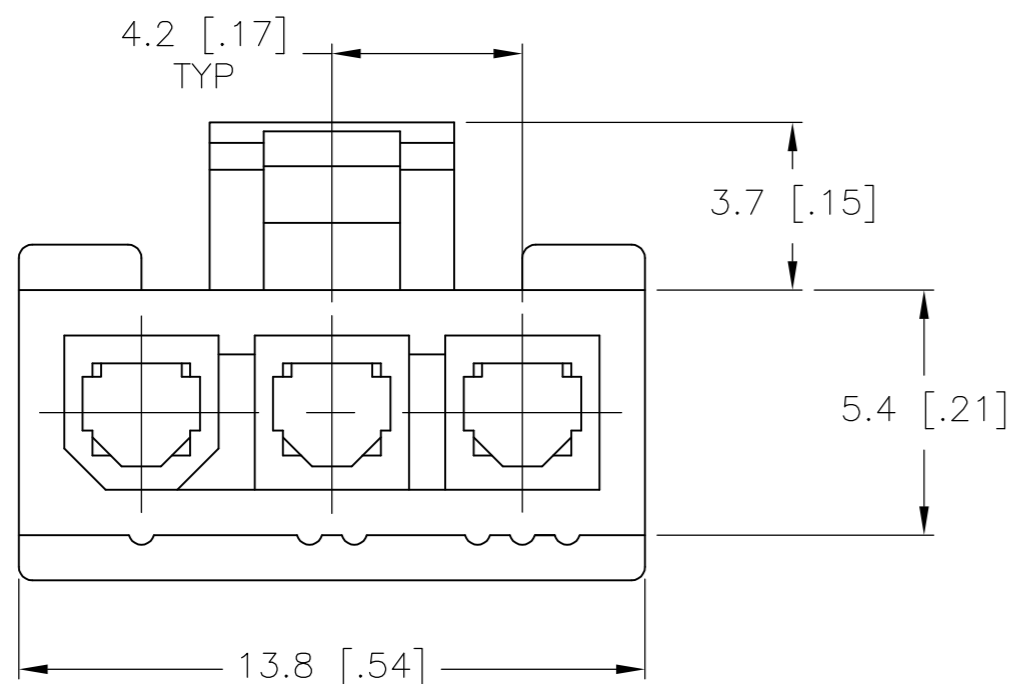
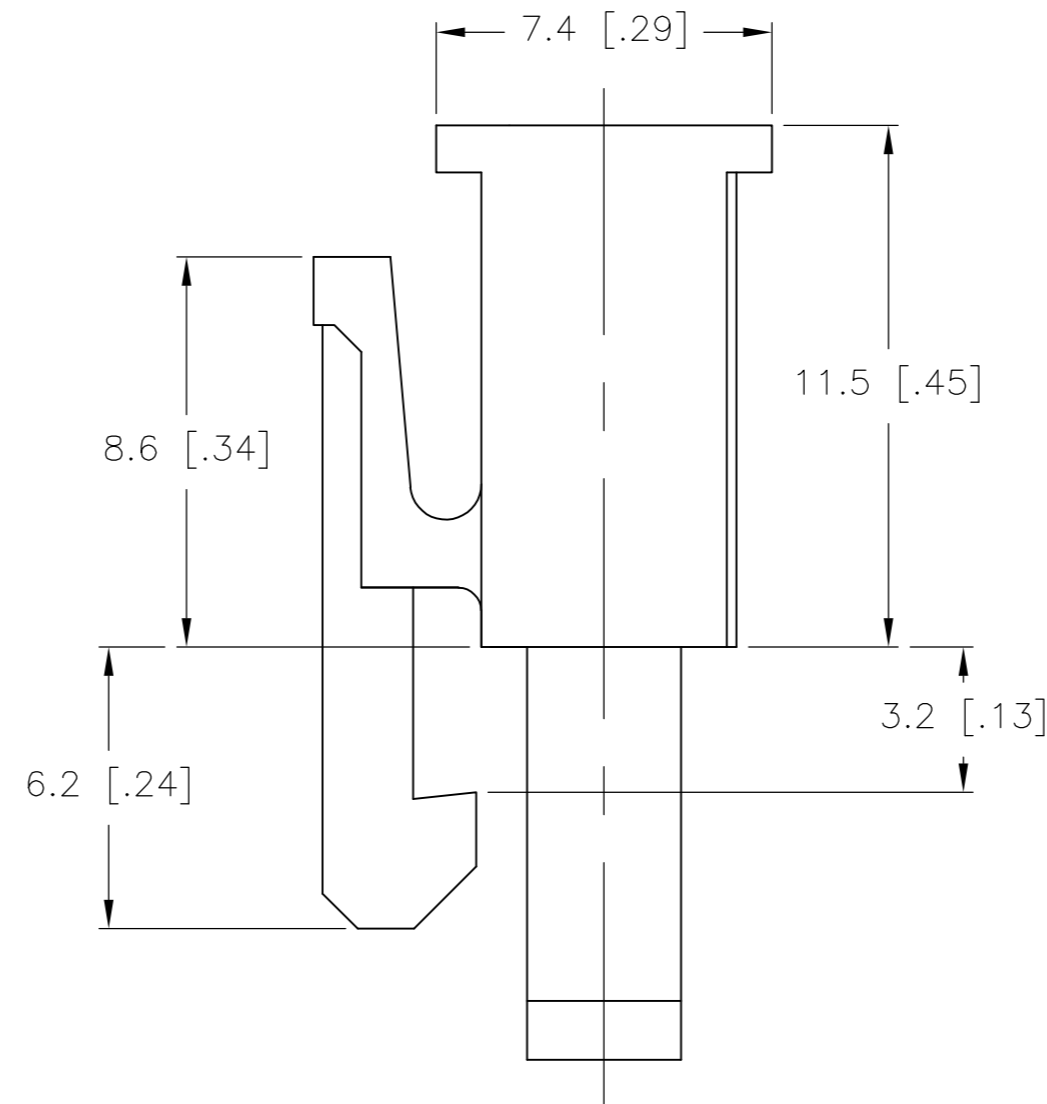
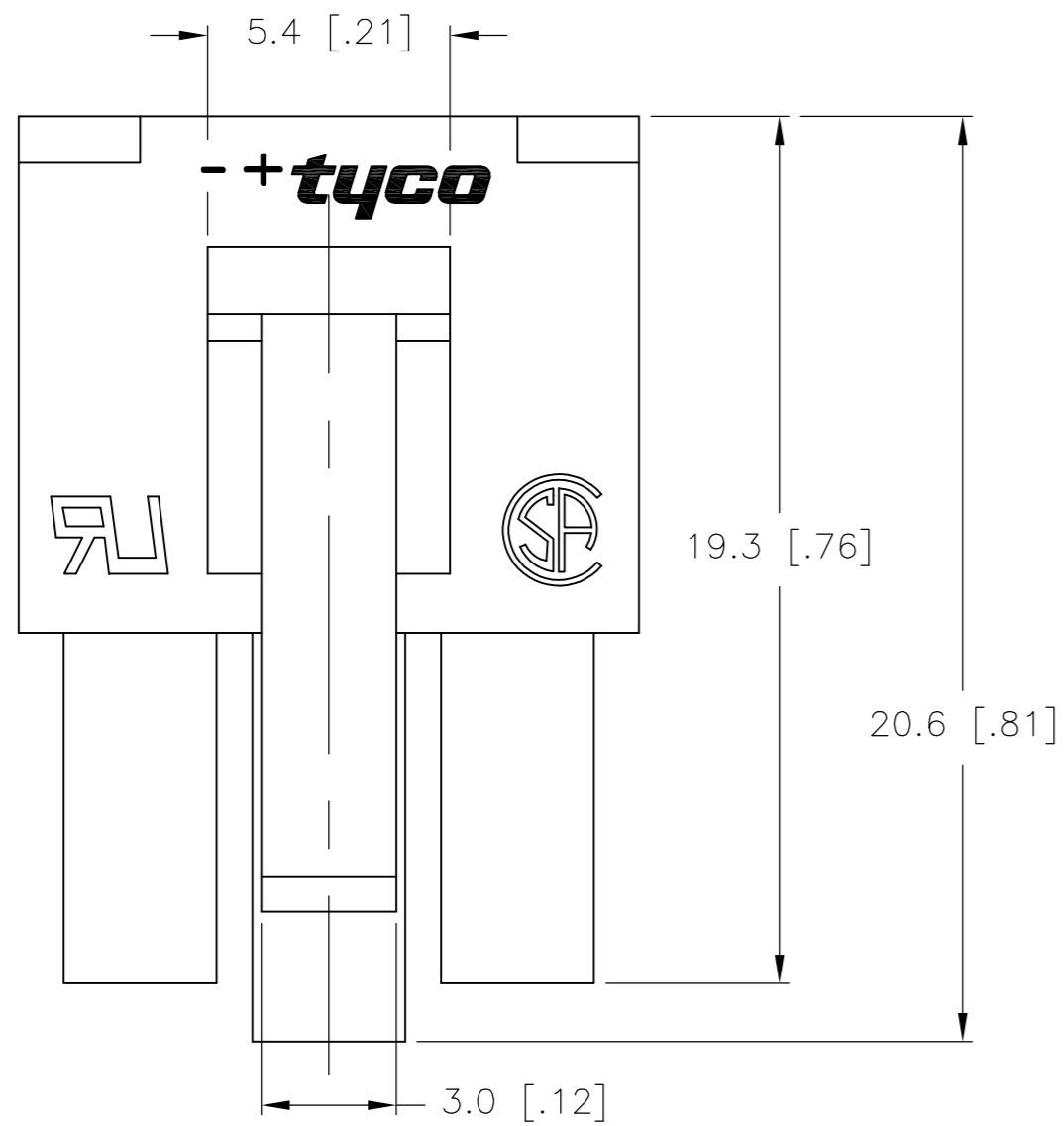
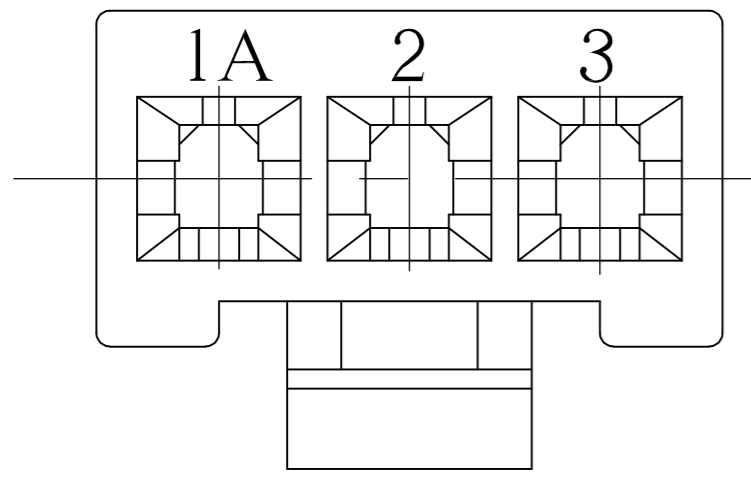


THIS DRAWING IS UNPUBLISHED. RELEASED FOR PUBLICATION
 © COPYRIGHT BY TYCO ELECTRONICS CORPORATION. ALL RIGHTS RESERVED.

LOC	DIST	REVISIONS			
P	LTR	DESCRIPTION	DATE	DWN	APVD
CM	00	A	REVISED PER ECO-08-006965	24MAR08	HMR CC



1586105

1586105-3
 PART NUMBER

THIS DRAWING IS A CONTROLLED DOCUMENT.		DWN S. HOOVER 23-FEB-2004	Tyco Electronics Corporation Harrisburg, PA 17105-3608	
DIMENSIONS: mm [INCHES]		CHK D. COLEY 23-FEB-2004	NAME RECEPTACLE, 3 CIRCUIT, V2 VAL-U-LOK(TM)	
TOLERANCES UNLESS OTHERWISE SPECIFIED: 0 PLC ± 1 PLC ± 0.2 [00] 2 PLC ± 3 PLC ± 4 PLC ± ANGLES ± FINISH		APVD D. COLEY 23-FEB-2004	PRODUCT SPEC	
MATERIAL NYLON 66 UL94V-2		APPLICATION SPEC	WEIGHT	RESTRICTED TO
CUSTOMER DRAWING		SCALE 6:1	SIZE A2	CAGE CODE 00779
		DRAWING NO C=1586105	SHEET 1 of 1	
		REV A		

